

- 1
- 2
- 3
- 4
- 5
- 6
- 7
- 8
- 9
- 10
- 11
- 12
- 13
- 14
- 15
- 16
- 17
- 18

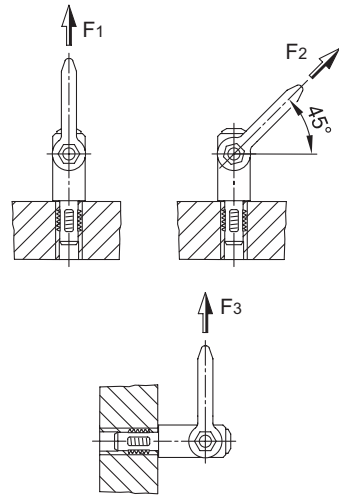
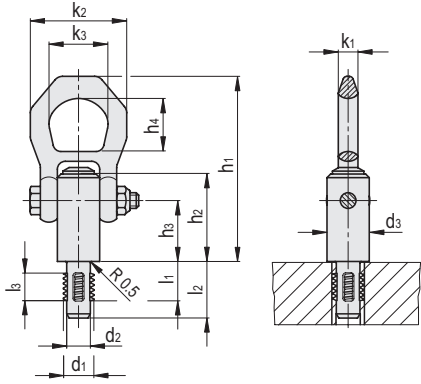
SPECIFICATION

- Steel **ST**
- Pin, shackle
 - Heat-treated, manganese phosphated
- Stainless steel **NI**
- Pin, AISI 630
 - Shackle, AISI 316Ti
- Threaded segments
- Stainless Steel AISI 630
 - Precipitation hardened
- Button
- Aluminum, orange anodized
- Spring
- Stainless steel



FEATURES AND APPLICATIONS

Threaded lifting pins GN 1133 are support elements designed for quick and easy use. Pressing the operation button unlocks the threaded segments, allowing the pin to be moved in or out of the mounting thread. This eliminates the time-consuming process of screwing in or out encountered with typical lifting gear, such as lifting eye bolts. Assuming sufficient material strength, only true-to-gauge threaded holes are required to make use of the threaded lifting pins. The shackle swivels by 180°, with a safety bar protecting the button from unintentional operation. For further application guidelines, see the operating instructions enclosed with every threaded lifting pin



GN 1133-ST

| Code | Description | d1 | d2 -0.07 | d3 | h1 | h2 | h3 | h4 | k1 | k2 | k3 | l1 | l2 | l3 | F1\ r[kN]* | F2\ r[kN]* | F3\ r[kN]* | ⚖️ |
|----------|-------------------|------|-------------|------|------|----|------|------|-----|----|----|----|------|----|---------------|---------------|---------------|-----|
| GN.76702 | GN 1133-M8-12-ST | M 8 | 6.62 | 21.5 | 87.5 | 36 | 25.7 | 27 | 9.5 | 49 | 30 | 12 | 17.8 | 8 | 2.1 | 0.9 | 0.8 | 275 |
| GN.76706 | GN 1133-M10-14-ST | M 10 | 8.35 | 21.5 | 87.5 | 36 | 25.7 | 27 | 9.5 | 49 | 30 | 14 | 20 | 10 | 3.9 | 1.5 | 1.5 | 278 |
| GN.76712 | GN 1133-M12-17-ST | M 12 | 10.07 | 21.5 | 87.5 | 36 | 25.7 | 27 | 9.5 | 49 | 30 | 17 | 24 | 12 | 6.2 | 2.5 | 2.3 | 284 |
| GN.76716 | GN 1133-M16-17-ST | M 16 | 13.8 | 21.5 | 87.5 | 36 | 25.7 | 27 | 9.5 | 49 | 30 | 17 | 24 | 12 | 8.4 | 4.5 | 4.2 | 300 |
| GN.76722 | GN 1133-M20-22-ST | M 20 | 17.25 | 30 | 114 | 52 | 36.5 | 32.6 | 15 | 56 | 36 | 22 | 30 | 17 | 16.6 | 7.7 | 5 | 685 |

GN 1133-NI

| Code | Description | d1 | d2 -0.07 | d3 | h1 | h2 | h3 | h4 | k1 | k2 | k3 | l1 | l2 | l3 | F1\ r[kN]* | F2\ r[kN]* | F3\ r[kN]* | ⚖️ |
|----------|-------------------|------|-------------|------|------|----|------|------|-----|----|----|----|------|----|---------------|---------------|---------------|-----|
| GN.76701 | GN 1133-M8-12-NI | M 8 | 6.62 | 21.5 | 87.5 | 36 | 25.7 | 27 | 9.5 | 49 | 30 | 12 | 17.8 | 8 | 2.1 | 0.9 | 0.8 | 284 |
| GN.76705 | GN 1133-M10-14-NI | M 10 | 8.35 | 21.5 | 87.5 | 36 | 25.7 | 27 | 9.5 | 49 | 30 | 14 | 20 | 10 | 3.9 | 1.5 | 1.5 | 289 |
| GN.76711 | GN 1133-M12-17-NI | M 12 | 10.07 | 21.5 | 87.5 | 36 | 25.7 | 27 | 9.5 | 49 | 30 | 17 | 24 | 12 | 6.2 | 2.5 | 2.3 | 288 |
| GN.76715 | GN 1133-M16-17-NI | M 16 | 13.8 | 21.5 | 87.5 | 36 | 25.7 | 27 | 9.5 | 49 | 30 | 17 | 24 | 12 | 8.4 | 4.5 | 4.2 | 298 |
| GN.76721 | GN 1133-M20-22-NI | M 20 | 17.25 | 30 | 114 | 52 | 36.5 | 32.6 | 15 | 56 | 36 | 22 | 30 | 17 | 10 | 7.7 | 5 | 607 |

* 5-fold anti-fracture safety